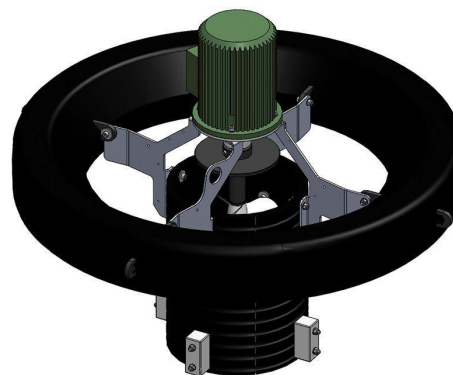


VuOxi Floating Aerator 3,0 kW (4.0 hp)

VuOxi Floating Aerators are CE marked products from Finland.

| Technical data | |
|-------------------------------|---|
| Oxygen transfer efficiency | Up to 2,0 kgO ₂ /kWh* (3.2 lbO ₂ /hp-hr) |
| Spray pattern diameter | Appr. 4,50 m (14.8 ft) |
| Motor | 3-phase customized motor manufactured by Lönne or equal (CE, UL and CSA approved) |
| Nominal power | 3,0 kW (4.0 hp) |
| Efficiency class | IE3 |
| Insulation class | H |
| V/F | 50 Hz: 400 V +/- 5%, 5,9 A; 60 Hz: 460 V +/- 5%, 5,9 A |
| Electrical cable | 4G2,5 European standard cable. Note: Length and local electrical control system may affect. When using AC-drive EMC-cable or shielded cable is required |
| Main dimensions | 1200 mm x 1200 mm x 800 mm (47.2" x 47.2" x 31.5") |
| Weight of aerator with floats | Appr. 110 kg (265 lb) |
| Materials | <ul style="list-style-type: none"> × Metals AISI 304 × Impeller plastic × Float PE-plastic × Intake pipe** PE-plastic |

| Optional features |
|--|
| Frequency converter (AC-drive) |
| <ul style="list-style-type: none"> × Protection class IP21 or IP55 × Automatic impeller cleaning cycle feature |
| Metal parts AISI 316 |
| Intake pipe screen |
| Lifting hook |
| Shallow pond protect |



* Oxygen measurement accuracy ± 15%

** Customer must define the length of the intake pipe (the pipe should be 1,0 – 2,5 m / 3.3 - 8.2 ft above the bottom of the basin, depends on basins material).

Information without engagement. All rights to changes without prior notice reserved.