

VuOxi Floating Aerator 5,5 kW (7.5 hp)

VuOxi Floating Aerators are CE marked products from Finland.

Technical data

Oxygen transfer efficiency	Up to 2,0 kgO ₂ /kWh* (3.2 lbO ₂ /hp-hr)
Spray pattern diameter	Appr. 5,0 m (16.4 ft)
Motor	3-phase customized motor manufactured by Lönne or equal (CE, UL and CSA approved)
Nominal power	5,5 kW (7.5 hp)
Efficiency class	IE3
Insulation class	H
V/F	50 Hz: 400 V +- 5%, 12,5 A; 60 Hz: 460 V +- 5%, 12.5A
Electrical cable	4G6 European standard cable. Note: Length and local electrical control system may affect. When using AC-drive EMC-cable or shielded cable is required
Main dimensions	1500 mm x 1500 mm x 900 mm (59.0" x 59.0" x 35.4")
Weight of aerator with floats	Appr. 170 kg (353 lb)
Materials	<ul style="list-style-type: none"> × Metals AISI 304 × Impeller alloyed special bronze and plastic × Float PE-plastic × Intake pipe** PE-plastic

Optional features

Frequency converter (AC-drive)

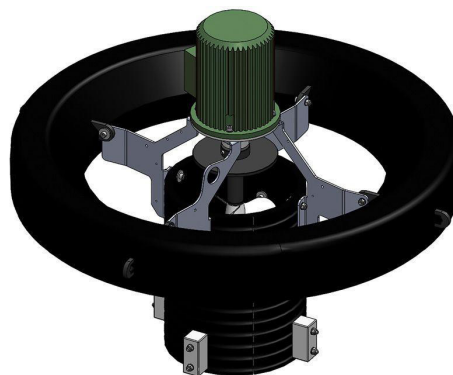
- × Protection class IP21 or IP55
- × Automatic impeller cleaning cycle feature

Metal parts AISI 316

Intake pipe screen

Lifting frame

Shallow pond protect



* Oxygen measurement accuracy ± 15%

** Customer must define the length of the intake pipe (the pipe should be 1,0 – 2,5 m / 3.3 - 8.2 ft above the bottom of the basin, depends on basins material).

Information without engagement. All rights to changes without prior notice reserved.